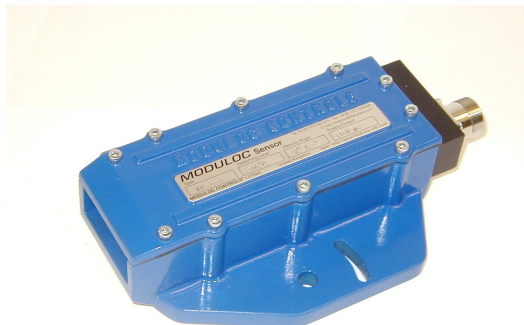




HIGH SPEED MDL0150 ToF Class I INFRARED LASER DISTANCE METER



- Upto to 30 kHz measuring rate for high speed applications and Collision avoidance on cranes
- Totally safe Infrared Class I Laser Distance Meter
- Measuring range 270 m off a Reflector and 30m off natural target
- Robust shock proof aluminum IP66 housing.
- Dual programmable 0.2A digital outputs
- Repeatability +/-1 mm to +/- 50 mm according to measuring rate
- Accuracy of +/- 50 mm
- Narrow 1 x 3 mrad Laser beam

Typical Application

Ideal Laser Distance Meter where a fast measuring rate is required and only good repeatability needed for the application. Namely for measuring off fast moving product or a target reflector on cranes.

Ideal for proximity detection and collision avoidance on cranes as is low cost Laser.

General Description

This MDL0150 Laser Distance Meter has an exceptionally fast measuring rate of 30,000 Hz using the binary output and 16,000 Hz using the ASCII output. Having a 270 m range off a reflector and being low in cost makes this Laser ideal for Collision avoidance on cranes and also for general positioning off product on the production line

Having a range of 30m off natural surfaces such as steel and a narrow 1x 3 mrad FOV with a repeatability of between 2 to 50 mm depending on measuring rate this Laser Distance Meter is also well suited for general product positioning and detection.

A 4-20mA analogue output is provided as well as two 0.2A high side digital alarms that can be programmed to provide required early alarms independent of the measured output. Serial Interface is either RS232 or RS422 according to Model ordered.

Incorporates a built-in cooling chamber which vents as an air purge to keep the viewing window clear.

Implementing an in-line air vortex cooler or internal electronic cooler pads allows this Laser to be used in high ambient areas such as often found the case in warehouses. An internal thermostat Electronic heater can also be incorporated

This low cost Laser Distance Meter is ideal Collision avoidance on cranes and general product detection and positioning. Provided in a robust shockproof housing which will withstand high impact.

MODULOC[®] Technology - The Total Laser Solution

A Rotalec Group Company

Group Head Office
Quebec, Canada
: info@rotalec.com
T : 514-341-3685

UK Manufacturing & Sales Centre
Hertfordshire SG3 6JP
E : sales@moduloc-intl.com
T : +44 (0) 845-873-6501

USA Sales Office
Minneapolis MN55344
E : sales@moduloc-usa.com
T : 952-238-8453

Housing Specifications

Housing: Aluminum AL6, Oven baked blue paint and black anodized end covers

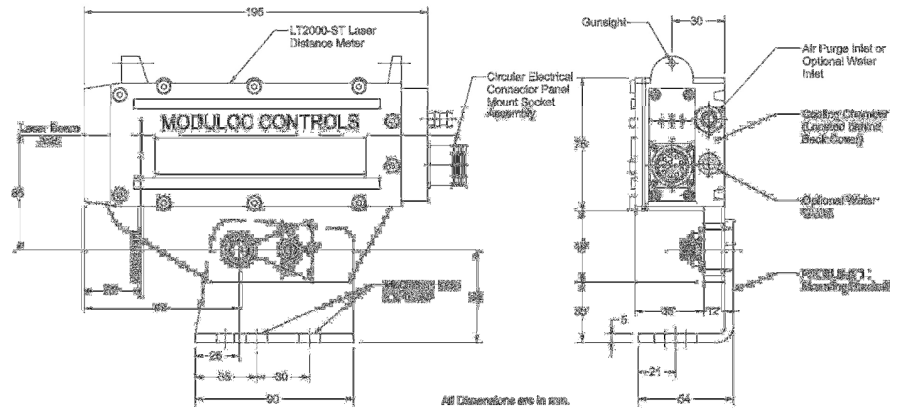
Housing Rating: IEC IP66, DIN 89011

Weight w/o Cable and plug: 1.8 Kg

Air Specifications

Air Pressure: 1 cu ft./min at 5 PSI for normal conditions
5 cu ft./min at 15 PSI for severe conditions

Dimensions



General Specifications

Operating range	Natural Surface: 0.2M to 30m depending on surface nature	Supply Voltage	12 - 24 VDC Reverse Pole protected
		Power Consumption/Rating	< 3 watt
Measuring Rate	30kHz with Binary output	Storage Temperature	-20 °C to +50 °C
	16 kHz with ASCII output	Operating Temp. Limit	-40 °C to +85 °C
Accuracy	+/- 50 mm at 16kHz	Product Temp Limit	600 °C
Repeatability	+/- 50 mm at 16000 Hz		
	+/- 16 mm at 1600 Hz		
	+/- 5 mm at 160 Hz	Shock and Vibration	DIN ISO 9022-3
	+/- 2 mm at 16Hz	Programming	Via RS232 or RS422 according to Model
Laser Wavelength	905 nm Infrared	Analogue Output	4 - 20 mA
Laser Classification	(DIN EN 60825-1), Class I	Alarm Outputs	2 x digital < 0.2A high side
Max radiant output	0.5 mW	Reflector Requirement	Scotch light cubed reflector
EMC	EN 61326-1		
Laser FOV	1 X 3 mrad		
MTTF	Typically 50,000 hrs		
LEDs	Green - Power On Yellow - Output on.		
Connector	Threaded Nickel Plated Brass		

MODULOC[®] Technology - The Total Laser Solution

MODULOC[®]
Control Systems

Your Local Sales Representative:



We reserve the right to alter specifications without prior notice. Specifications without tolerances are typical values.